

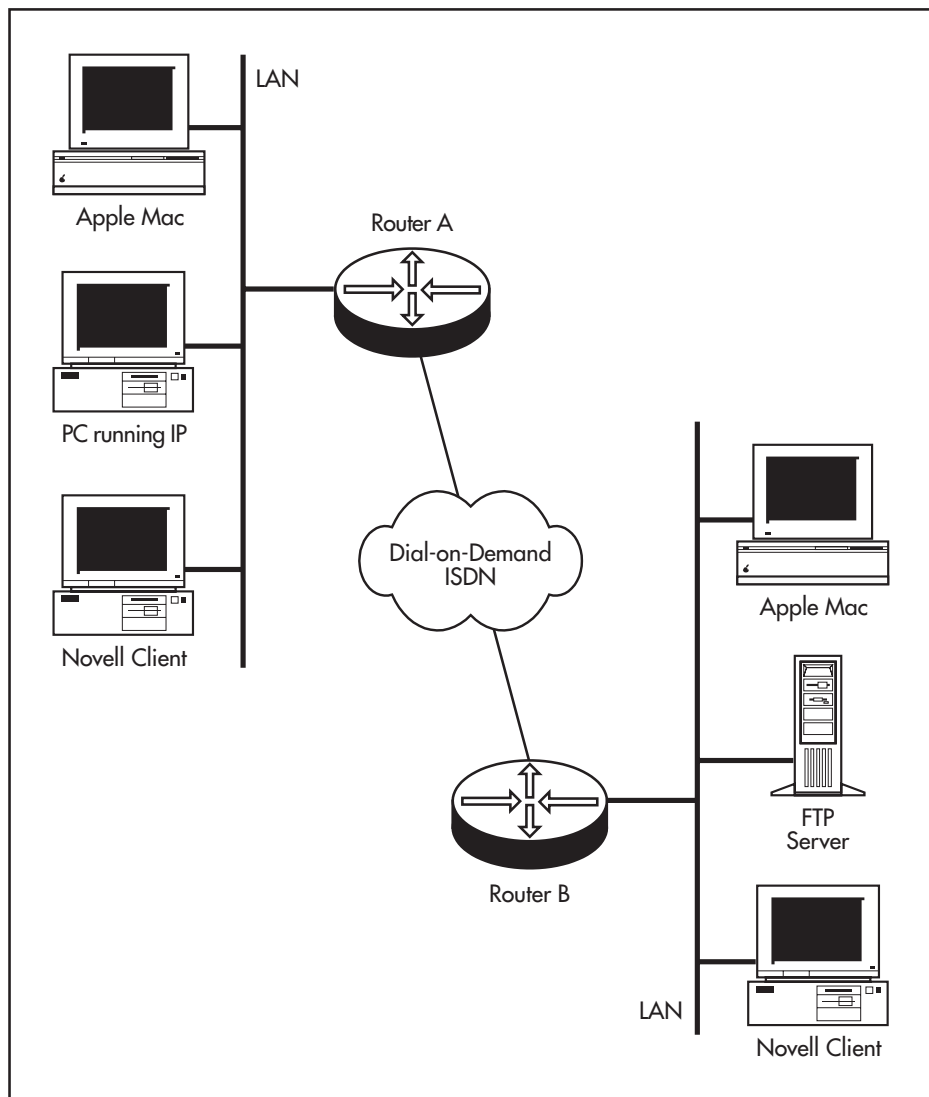
## Configuration Example 8

# Multiple Protocols Over Dial-on-Demand PPP

This example illustrates how to configure routing of multiple protocols over a dial-on-demand Point-to-Point Protocol (PPP) ISDN link. Two AR routers are connected via a Basic Rate ISDN link. Each router is attached to an Ethernet LAN on which a variety of PCs, Macintoshes and IP hosts reside. The protocols being routed across the link are:

- AppleTalk—used by Apple MAC's to talk to each other.
- IPX—used by Novell Netware servers and workstations.
- IP—used on the Internet.

Figure 1: Setup Diagram



## Configuration Script for Router A [ex8a.scp]

1. Set the system name. The prompt will change to "Manager EX8\_A>".

```
set sys name=EX8_A
```

2. Add an ISDN call named 'demand'.

```
add isdn call=demand number=12345678 prec=out inany=on
```

3. Create a PPP link over the 'demand' ISDN call using 2 B channels.

```
create ppp=0 over=isdn-demand idle=on num=2
```

4. Enable the IP module.

```
enable ip
```

5. Add an IP interface to the Ethernet port.

```
add ip int=eth0 ip=192.168.1.1
```

6. Add an IP interface to the PPP link.

```
add ip int=ppp0 ip=192.168.2.1
```

7. Enable RIP on the PPP link.

```
add ip rip int=ppp0 demand=on
```

8. Enable the IPX module.

```
enable ipx
```

9. Add an IPX circuit to the Ethernet port.

```
add ipx circ=1 net=aaaa int=eth0
```

10. Add an IPX circuit to the PPP link.

```
add ipx circ=2 net=bbbb int=ppp0 demand=on
```

11. Enable the AppleTalk module.

```
enable apple
```

12. Configure an apple port on the Ethernet port.

```
add apple port int=eth0
```

13. Configure an apple port on the PPP link.

```
add apple port int=ppp0 demand=on
```

## Configuration Script for Router B [ex8b.scp]

1. Set the system name. The prompt will change to "Manager EX8\_B>".

```
set sys name=EX8_B
```

2. Add an ISDN call named 'demand'.

```
add isdn call=demand number=12345678 prec=in inany=on
```

3. Create a PPP link over the 'demand' ISDN call using 2 B channels.

```
create ppp=0 over=isdn-demand idle=on num=2
```

4. Enable the IP module.

```
enable ip
```

5. Add an IP interface to the Ethernet port.

```
add ip int=eth0 ip=192.168.3.1
```

6. Add an IP interface to the PPP link.

- ```
add ip int=ppp0 ip=192.168.2.2
```
7. Enable RIP on the PPP link.

```
add ip rip int=ppp0 demand=on
```
  8. Enable the IPX module.

```
enable ipx
```
  9. Add an IPX circuit to the Ethernet port.

```
add ipx circ=1 net=cccc int=eth0
```
  10. Add an IPX circuit to the PPP link.

```
add ipx circ=2 net=bbbb int=ppp0 demand=on
```
  11. Enable the AppleTalk module.

```
enable apple
```
  12. Configure an apple port on the Ethernet port.

```
add apple port int=eth0
```
  13. Configure an apple port on the PPP link.

```
add apple port int=ppp0 demand=on
```